

REACH BRAVO

LIGHTWEIGHT, ROBUST, STRONG

REACH
ROBOTICS

- **DEXTEROUS**
7-Function (or custom fit)
Highly Modular & Configurable
- **RUGGED**
450m Depth Rating
10kg Full Reach Lift
- **SMART**
In-Built Kinematics
Master Arm Controlled



REVOLUTIONARY ROBOTIC ARMS FOR SUBSEA INSPECTION

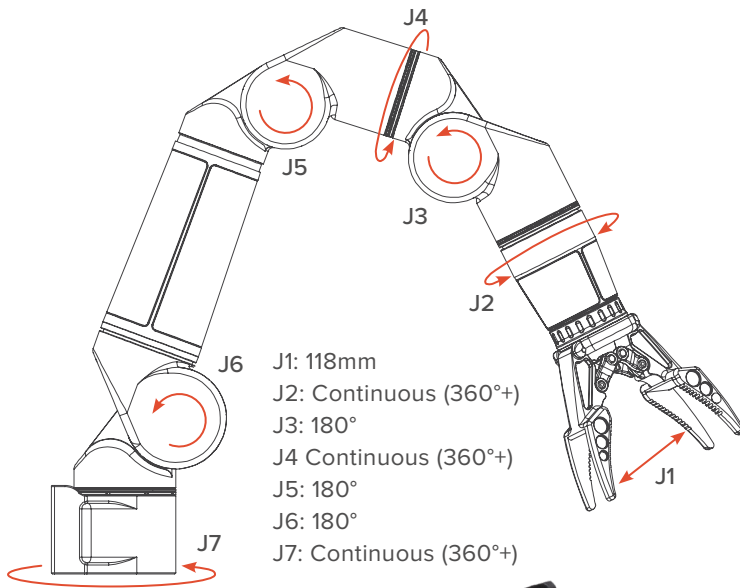
The Reach Bravo enables Inspection, Maintenance, and Repair (IMR) tasks usually reserved for more expensive work-class ROVs. Do more with a low logistics footprint and a manipulator that is compact, strong and tough.



• ROV Proven

• Master Arm Enabled

RANGE OF MOTION



BE CONFIDENT

A 7-Function manipulator that opens up new compact inspection and intervention opportunities for service providers, researchers and other operators.

FEATURES & SPECIFICATIONS

- Ready-built and designed for industry leading inspection-class vehicles
- Master Arm Controlled
- All-Electric, Zero Oil
- End effectors: grabbers, probe handlers, cutters (or BYO)
- Advanced software interface with 3D visualisation
- One-click deploy/stow position
- Adjustable grab force - pick up a sea urchin or cut a cable

Grabber Closing Force	800N
Water Weight	4.5kg
Reach	0.9m
Max Lift Capacity	20kg
Lift at Full Reach	10kg
Depth Rating	450m

MISSION SPECIFIC END-EFFECTORS

INTERCHANGE WITH EASE



RB-1025



RB-1055



RB-1041



RB-1043



RB-1044 SS



RB-1042



RB-1034