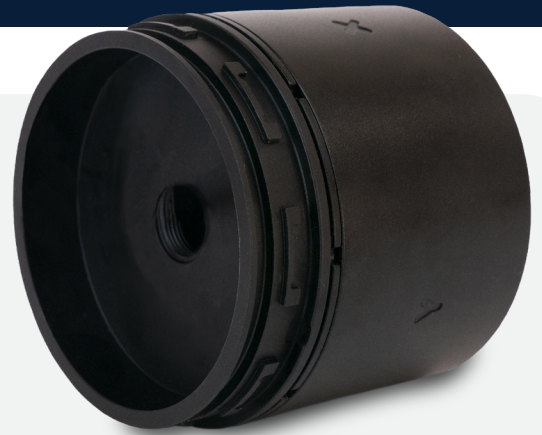
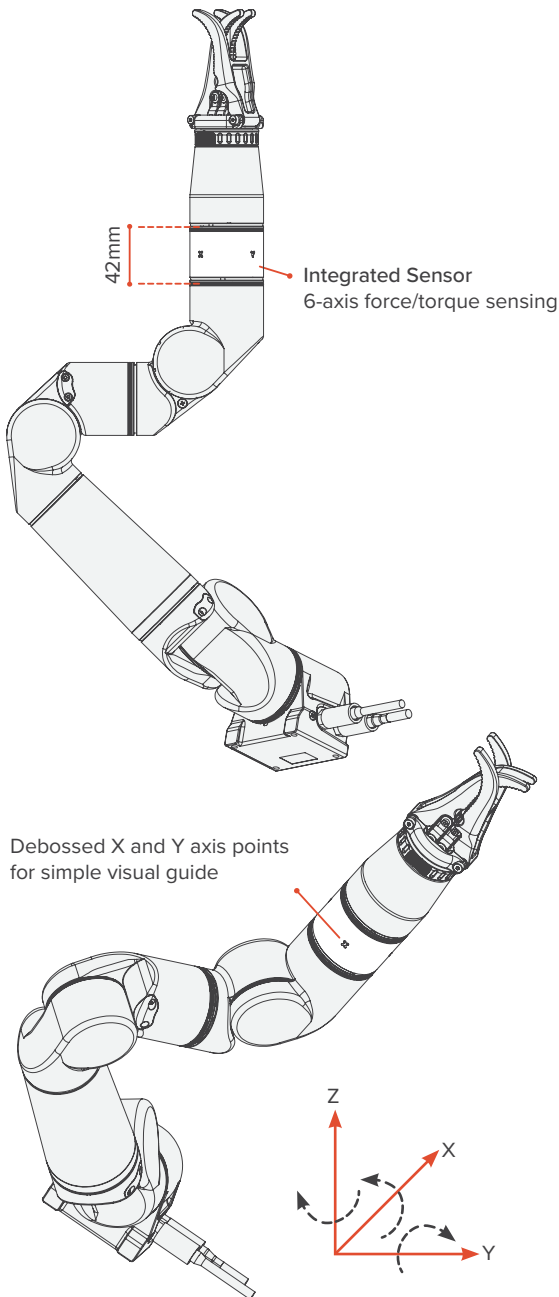


# FORCE TORQUE SENSOR

A multi-axis unit to measure force and torque

Expand the capability of your  
Reach Bravo Manipulator



## LIGHT AND POWERFUL

The Reach Bravo Force Torque Sensor is a six-axis measurement tool registering force and torque data in 3 axes (x-y-z). This optional modular unit is integrated onto Reach Bravo manipulators allowing users to determine, record and adjust the force and torque pressure applied - taking the guess work out of sensitive tasks.

### • SPECIFICATIONS

Weight	460g
Depth Rating	450MSW
COMS	Ethernet/RS232/RS485 (fully integrated into Reach System Communication protocol)
DIM	Ø81.6x42mm

### Sensing Ranges

- $F_x, F_y: \pm 580N$
- $F_z: \pm 1160N$
- $T_x, T_y, T_z: \pm 20Nm$

### Resolution

- $F_x, F_y, F_z: \pm 0.25N$
- $T_x, T_y: \pm 0.005Nm$
- $T_z: \pm 0.003Nm$

### Max allowable single-axis overload

- $F_x, F_y: \pm 5100N$
- $F_z: \pm 10000N$
- $T_x, T_y: \pm 110Nm$
- $T_z: \pm 140Nm$

A **Revolution** for Subsea Inspection & Intervention



Responsive  
Integration Support



Responsive  
Remote Support



12 Month  
Warranty



Ext. Warranty, Spares  
Packages & Service Plans  
Available



1000+ Hours  
Logged