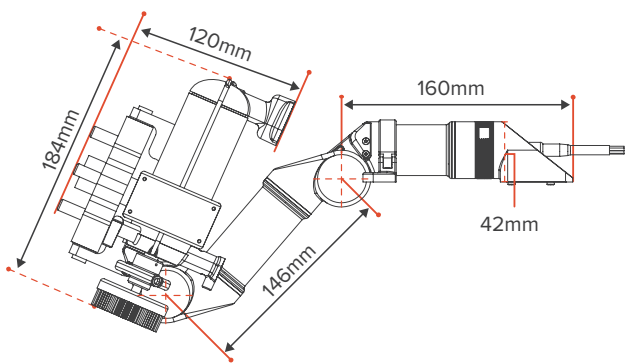
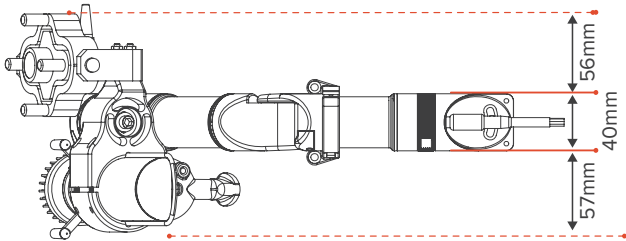


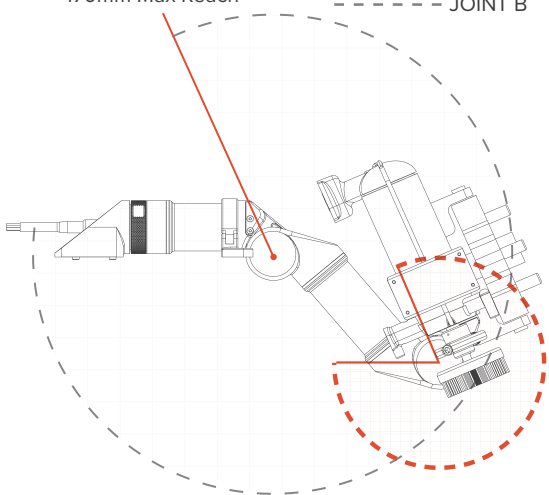
ALPHA PROBE & BRUSH

A dual bend manipulator with probe & brush holder

Pushing boundaries of remote inspection and intervention



170mm Max Reach
 - - - - - JOINT A
 - - - - - JOINT B



Joint A & Joint B Range of Motion = 290°



BE CONFIDENT

The Reach Alpha Probe and Brush is a dual-function manipulator built to conduct remote inspection and maintenance activities in harsh, subsea environments. Capable of cleaning away sediment and organic build-up on a surface, as well as collecting accurate data determining corrosion levels, the Alpha Probe and Brush unit is reducing risk and cost factors associated with inspection requirements in Oil and Gas industries.

- **ELECTRICAL**

Voltage	18-30V
Wattage	35W Max
COMS	RS232/RS485
- **ENVIRONMENTAL**

Depth	300M
Temp	-35°C to 35°C
Material	AL6061
- **MECHANICAL**

Weight (air)	1200g
Weight (water)	795g

A Revolution for Subsea Inspection & Intervention



Responsive Integration Support



Responsive Remote Support



Extended Warranty, Spares Packages & Service Plans Available



12 Month Warranty



1000+ Hours Logged