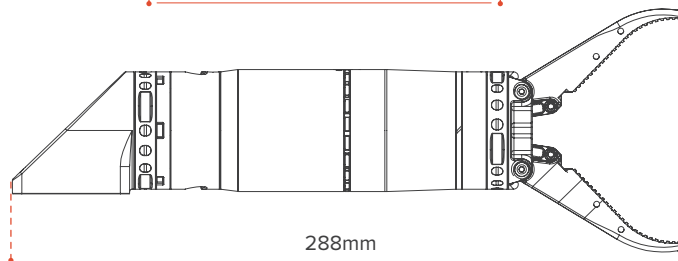
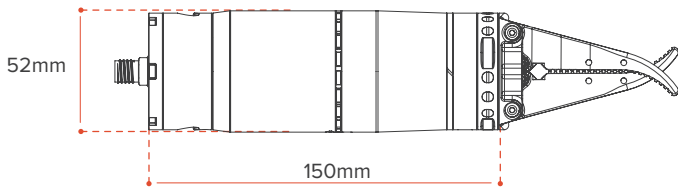
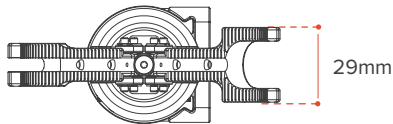
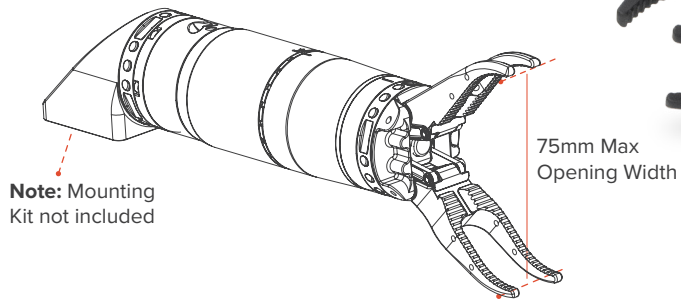


REACH X ROTATING GRABBER

A durable, portable dual function manipulator for intervention in defence and commercial industry operations

The Reach X Rotating Grabber is a 2-function manipulator purpose built for harsh, unpredictable environments where reliable intervention is critical to mission success.



Proven on industry leading ROVs



SPECIFICATIONS

Wrist Rotation Torque	7Nm
Wrist Rotation Speed	140°/s
Grab Speed	3 seconds
Outer Diameter	52mm / 2in
Connector Cable	Impulse 6 Pin
Control Modes	Position & Velocity Control



Note: Mounting Kit not included

BE CONFIDENT

The Reach X series is designed for commercial and military operations requiring hard-wearing, reliable technology. The design prioritises durability, dexterity, speed and portability in response to industry-specific operational needs.

The Reach X2 is a dual-function grabber that is proven to integrate with the worlds leading portable ROV and AUV platforms. Featuring interchangeable end effector tooling that can be swapped in-field, operators can confidently interact with their environment. Whatever the mission calls for, cut, grab, recover, inspect and repair with Reach X2.

• ELECTRICAL

Voltage 24-30V
COMS RS232 / RS485

• ENVIRONMENTAL

Depth 300MSW / 1000ft
Temp 5°C to 45°C / 41°F to 113°F
Material AL6061

• MECHANICAL

Grab Force 25kg / 55 lbs
Weight (Air) 950g / 33.5 oz
Weight (Water) 730g / 25.75 oz

FEATURES

- Ready-built and designed for industry leading ROVs and UGVs
- All-Electric, Zero Oil
- Advanced software interface with 3D visualisation
- Control Options: Master Arm, Reach Control, Command Pods, Xbox Controller, Software API
- Quick Release mounting kit option available