

REACH X3

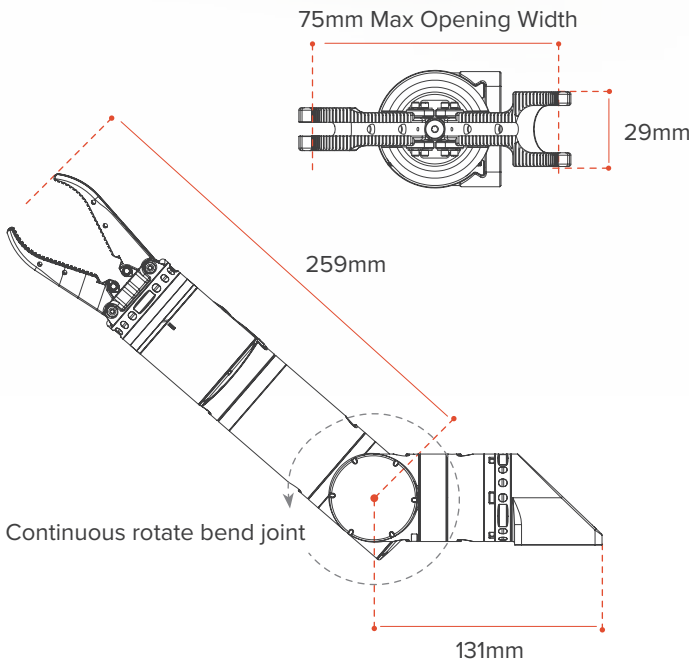
A next-generation manipulator system for complex remote intervention critical commercial & military operations



MAXIMISE CAPABILITY, MINIMISE RISK

The Reach X series is designed for commercial and military operations requiring hard-wearing, reliable technology. The design prioritises durability, dexterity, speed and portability in response to industry-specific operational needs.

The Reach X3 is a compact 3-function manipulator that is proven to integrate with the worlds leading portable ROV and AUV platforms. A compact, modular build allows for maximum portability and rapid serviceability. With continuous rotate joints and unparalleled torque density, Reach X3 is the most powerful 3-function underwater manipulator on the market.



• ELECTRICAL

Voltage 24-30V
COMS RS232 / RS485

• ENVIRONMENTAL

Depth 300MSW / 1000ft
Temp 5 - 30°C / 41 - 86°F (submerged)
Material AL6061

• MECHANICAL

Grab Force 25kg / 55 lbs
Weight (Air) 1600g / 56.4 oz
Weight (Water) 950g / 33.5 oz

SPECIFICATIONS

Wrist Rotation Torque	6 Nm / 53.1 lb-in
Wrist Rotation Speed	40°/s
Max Reach	270mm / 10.6in
Grab Speed	3 seconds
Outer Diameter	50mm / 1.97in
Connector Cable	Impulse 6 Pin
Control Modes	Position & Velocity Control

Proven on industry leading ROVs



FEATURES

- Ready-built and designed for industry leading ROVs and UGVs
- All-Electric, Zero Oil
- Advanced software interface with 3D visualisation
- Control Options: Master Arm, Reach Control, Command Pods, Xbox Controller, Software API
- Quick Release mounting kit option available